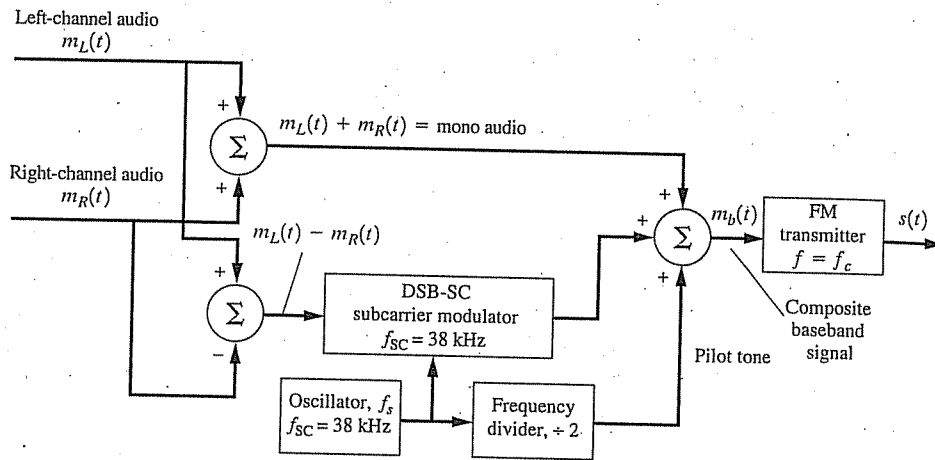
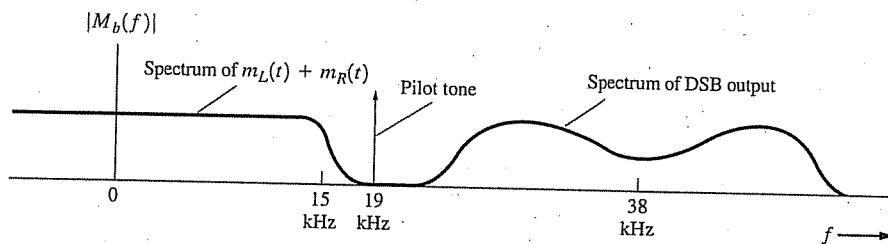


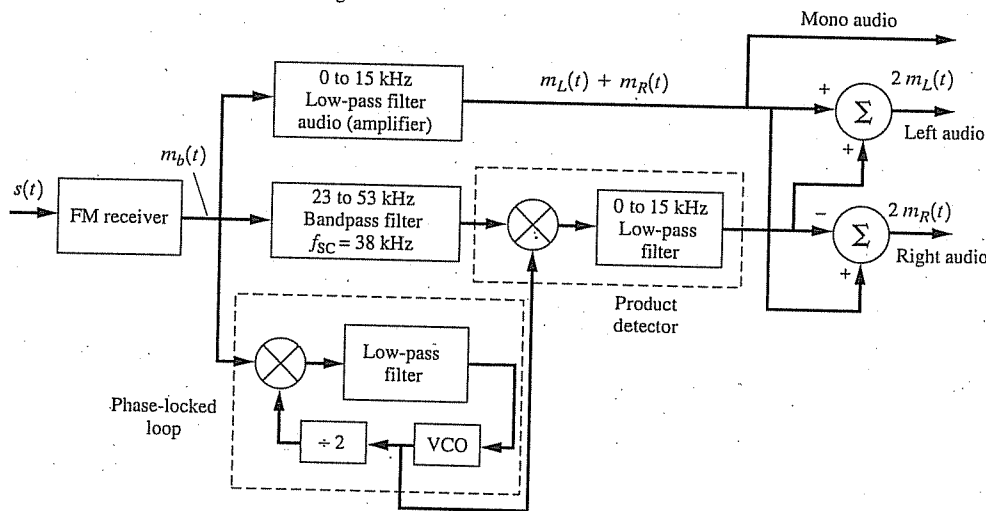
EE511 Lecture 22: Stereo FM



(a) FM Stereo Transmitter



(b) Spectrum of Composite Baseband Signal



(c) FM Stereo Receiver

Figure 5-18 FM stereo system.

tone is added
herent (prod
tem is comp
relatively si
tion of the s
The F
by the FCC.
second anal
stores or off
frequency is
by the FCC,
under 1,200
auxiliary tex
musical arti

5-8 FM BROADC

Table 5-4 g
tems. In the
pending on
maximum e
ft above ave
power gains
Sec. 8-9 for
with a max
signed to th
Virgin Islan
have a max
age terrain.
commercial
band and p
of the FM
and the rec
cies and the

5-9 BINARY MO

Digitally m
PM, FM, o
then studie
is a digital
ter 3. In th
5-11, multi